

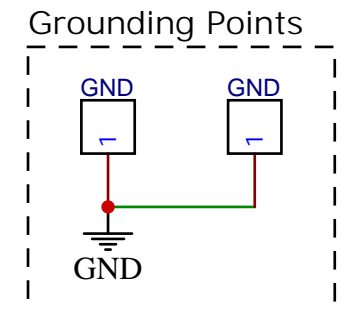
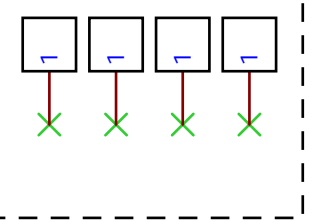
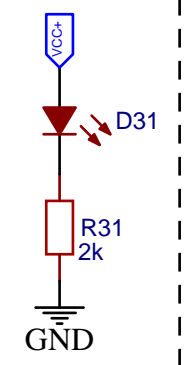
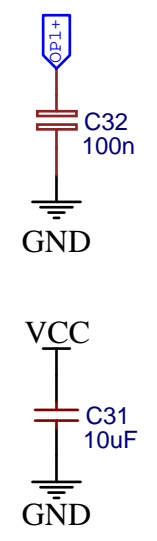
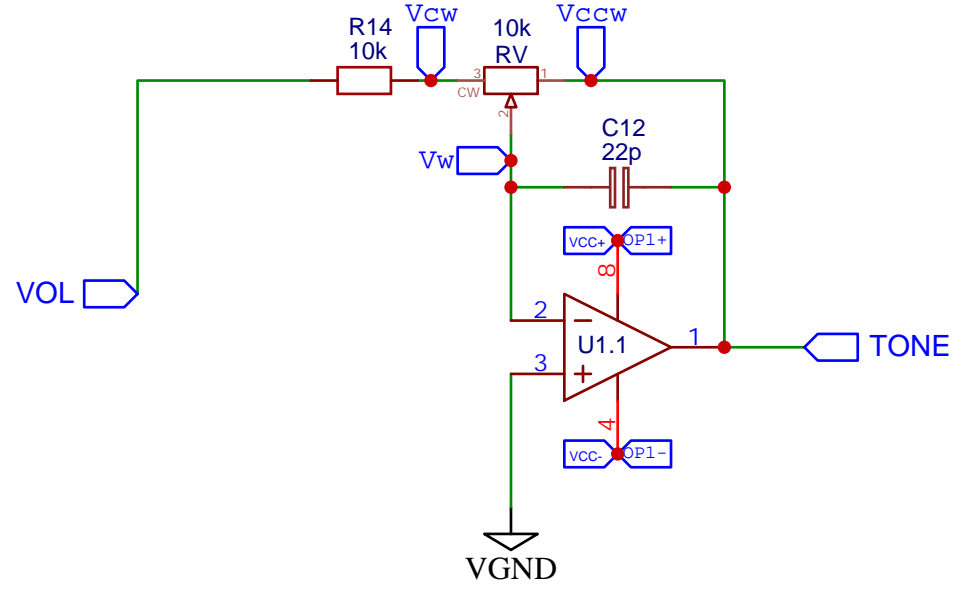
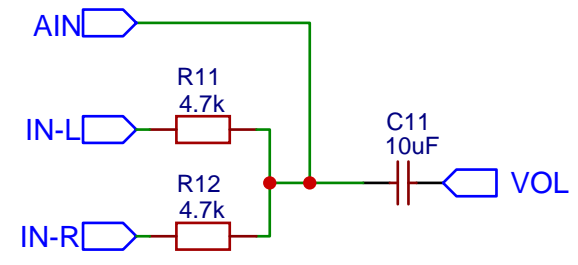
Input Section

Volume Section

Power Decoupling

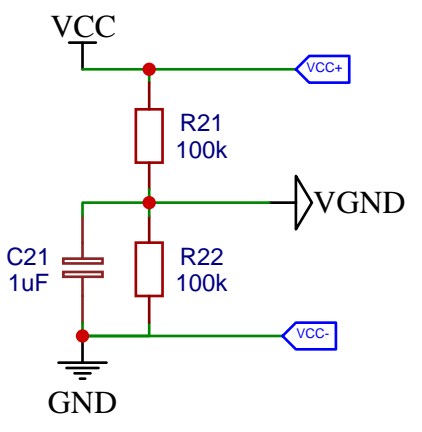
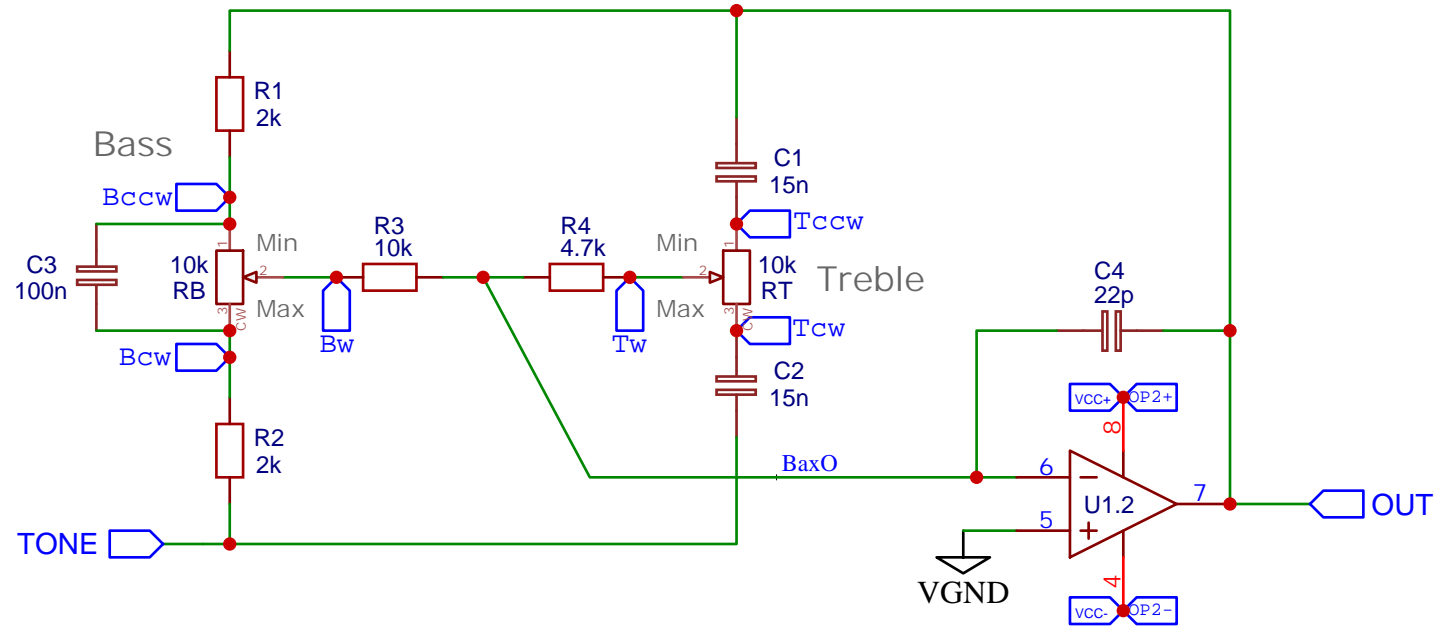
Power LED

Mount Holes



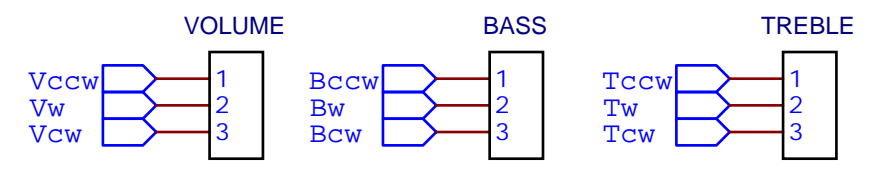
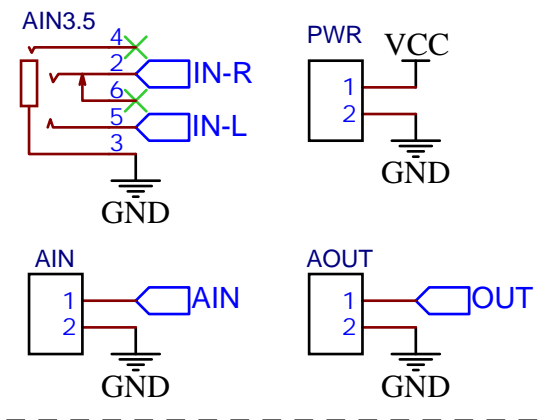
Tone Section (Bass + Treble)

OpAmp Power (V+/V-)



Ports

Panel/Throughhole Pot Options



TITLE: PreAmp4v3		REV: 1.0
	Company: Protoriam	Sheet: 1/1
	Date: 2021-11-17	Drawn By: Mattias W